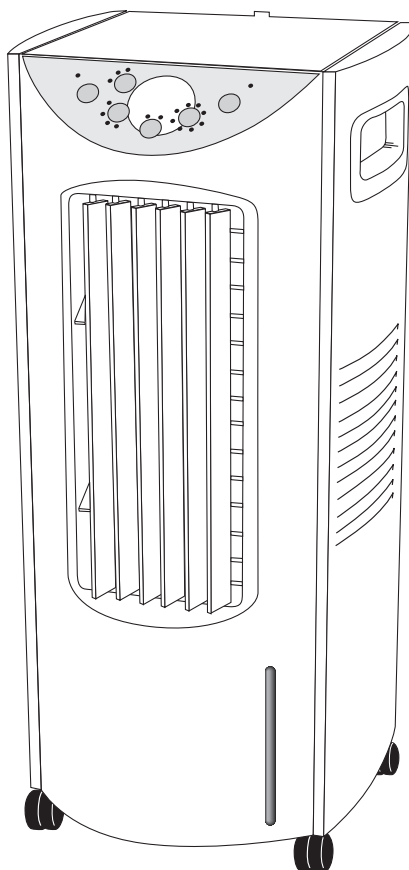


# Dimplex



## **Mobile Evaporative Cooler** EVA-12

*Please read this instruction manual before Operating and keep safe for future reference.*



---

---

# CONTENTS

---

	<b>Page</b>
Introduction . . . . .	1
Safety Instructions . . . . .	2
Important Product Information . . . . .	2
Parts Description . . . . .	3
Control Panel . . . . .	3
Operating Instructions . . . . .	3
For Room Cooling . . . . .	4
Louvers Operation . . . . .	4
Timer Operation . . . . .	4
Maintenance . . . . .	5
Specifications . . . . .	5
Warranty . . . . .	6

---

---

# INTRODUCTION

---

Thank you for choosing a Dimplex evaporative cooler. This manual contains information, regulations and warnings which are of fundamental importance if the appliance is to be installed correctly and the highest performance, in the safest possible conditions is to be obtained. We suggest that you read the manual carefully before installing or starting up the appliance.

These new Dimplex appliances represent the most highly developed evaporative coolers available today.

---

---

## SAFETY INSTRUCTIONS

---

1. Read all Instructions.
2. Disconnect the power plug before dismantling, assembling or before cleaning.
3. Avoid touching mobile parts of the fan.
4. Be sure fan is on dry and even surface.
5. Never insert fingers, pencils or any other objects through the guards whenever the power plug is connected, especially while running.
6. The appliance is not intended for use by young children or infirm persons without supervision.
7. Young children or infirm persons should be supervised to ensure that they do not play with the appliance.
8. Do not use the appliance for any other purpose than its intended use.
9. When the power cord is damaged, it must be replaced by the manufacturer or its service agent or a similarly qualified person in order to avoid a hazard.
10. Do not use your appliance with an extension cord unless it has been checked and tested by a qualified electrician or electrical supplier.
11. Return to Hagemeyer or authorised service agent.

---

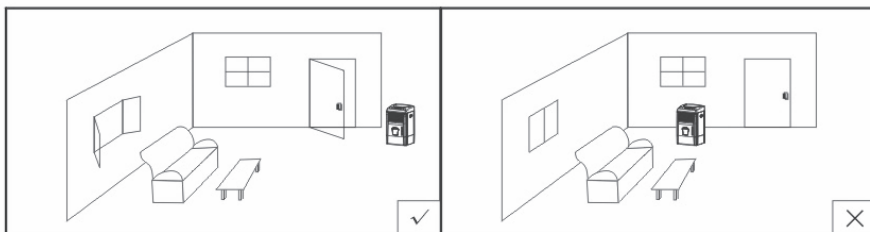
---

## IMPORTANT PRODUCT INFORMATION

---

Congratulations on your purchase of this versatile product, which combines a room cooler, humidifier and air cleaner. To get the best cooling effect from your product please read these instructions carefully.

For the best performance of your Evaporative Cooler it should be filled with water, and ice if available, and positioned in a location that will create a 'flow through' air effect. The greatest cooling effect will be felt if the unit is operated in a partly opened doorway or window with the cooled air directed into the room. It is also important to have a door or window partly opened away from the air cooler, in order to create the 'flow through' effect. If this arrangement cannot be met the Evaporative Cooling System will be less efficient.

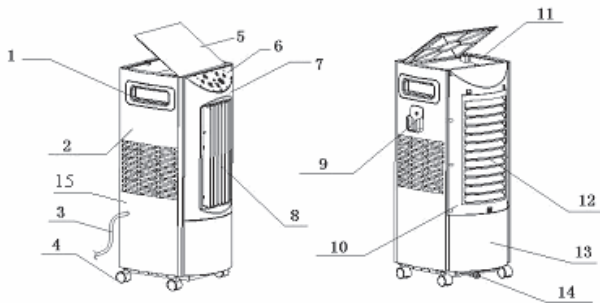


---

---

## PARTS DESCRIPTION

---



1	Handle	6	Control Panel	11.	Top water tank
2	Left side	7	Front	12	Air inlet
3	Power cord	8	Air outlet	13	Water tank
4	Castors	9	Remote control storage	14	Tank drain
5	Top cover	10	Rear	15	Mains switch

---

---

## CONTROL PANEL

---



---

---

## OPERATING INSTRUCTIONS

---

- Choose a suitable location for your Evaporative Cooler; please refer to the Important Product Information for details.
- Your product may be operated by the manual controls located on the unit or by the remote control.

---

---

## FOR ROOM COOLING

---

- Turn the product OFF at the MAINS SWITCH and remove the plug from the mains socket.
- Open the top cover and pour clean water into tank. Additionally, if required, add some ice cubes. Then connect to the power supply and turn on the MAINS SWITCH.
- Press the POWER button and the fan will start at medium speed, after a few seconds it will switch to LOW speed.
- To turn the product OFF press the POWER button again. If you do not intend to use the product for some time also turn off the MAINS SWITCH once the product has stopped and empty the water tank.
- Press the SPEED button to increase or decrease the speed.
- Press the MODE button to select the COOL MODE, indicated by the LED. The full effect of this mode will begin after about 3 minutes.
- Press the Sleep Function with indicator on, it will run with a cycle 5 seconds high, 5 seconds medium and 5 seconds low and stop for 4 seconds and it will repeat the same cycle again.
- Once all the water in the tank has been used turn the product OFF and refill the water tank.
- To empty the water tank turn your product off at the POWER button and MAINS SWITCH. Carefully pull the tank from the main body and dispose of the water. Refit the tank correctly or your evaporative cooler will not work correctly.

---

---

## LOUVERS OPERATION

---

- Press the SWING button to start the louvers moving from side to side. This will improve the distribution of the cooled air within the room. To stop the louvers press the SWING button again.
- You can change the air direction (up or down) by manually adjusting the horizontal louvers.

---

---

## TIMER OPERATION

---

- The Timer can be used to switch the product off after a selected number of hours.
- Select the desired operating mode.
- Press the TIMER button once and the product will switch off after 1 hour. Press the

button again for 2 hours, again for 3 hours etc. The maximum timer setting is 8 hours.

- To cancel the Timer setting press the TIMER button again until all the timer indicators are not lit.

---

---

## MAINTENANCE

---

- Before you clean the appliance, switch the product off, remove the plug from the power socket and wait until the product has cooled down.
- Use a damp cloth to clean the product housing.
- Do not use water, detergents, abrasive cleaning liquids, or chemical agents (Alcohol, Gasoline etc...), to clean the appliance.
- Store in the original packaging in a dry, dust free area during the off-season.

---

---

## SPECIFICATIONS

---

Model No.	EVA-12
Voltage	230/240
Frequency	50Hz
Wattage	90W Cooling Mode
Net Weight	7.40KG



## **24 Months Repair / Replacement Guarantee.**

Hagemeyer guarantees this product against defects caused by faulty workmanship and materials for 24 months domestic use (12 months commercial use) from the date of purchase. During this guarantee period, Hagemeyer will repair any defective product.

In the event of a product or accessory being replaced during the guarantee period, the guarantee on the replacement will expire 24 months from the original purchase date. This guarantee excludes defects caused by the product not being used in accordance with instructions, accidental damage, misuse or being tampered with by unauthorised persons.

Before making contact with Dimplex Customer Care read through the "Trouble Shooting Guide" at the rear of the Instruction Booklet. For any information on your Dimplex product please call our Customer Care line **1300 728 223**.

If the appliance needs to be checked by a technician, it is your responsibility to cover any freight charges returning the unit to your service centre. We will deliver this free of freight cost back to you. This warranty is in addition to the conditions and guarantee, which are mandatory and as implied by the Trade Practices Act 1974 and other legislation.

**Please retain your receipt as proof of purchase.**

**Every request for guarantee service must be accompanied by proof of purchase.**

Be sure to attach your proof of purchase to this card and present with the appliance if repair or replacement is required.

Product. \_\_\_\_\_

Model. \_\_\_\_\_

Date of Purchase. \_\_\_\_\_

Purchase from (name and address of retailer) \_\_\_\_\_

*Please complete the above for your own records.*

**Dimplex products are distributed in Australia by  
Hagemeyer Brands Australia Pty Ltd**

**ARBN 000668977**

**104 Vanessa Street**

**Kingsgrove NSW 2208**

**Phone: 1300 728 223**

**Fax: 1300 728 224**